

HYDROPHORE & CALORIFIER

FRESH WATER TREATMENT SYSTEMS



Visit us at WWW.JOWA.COM



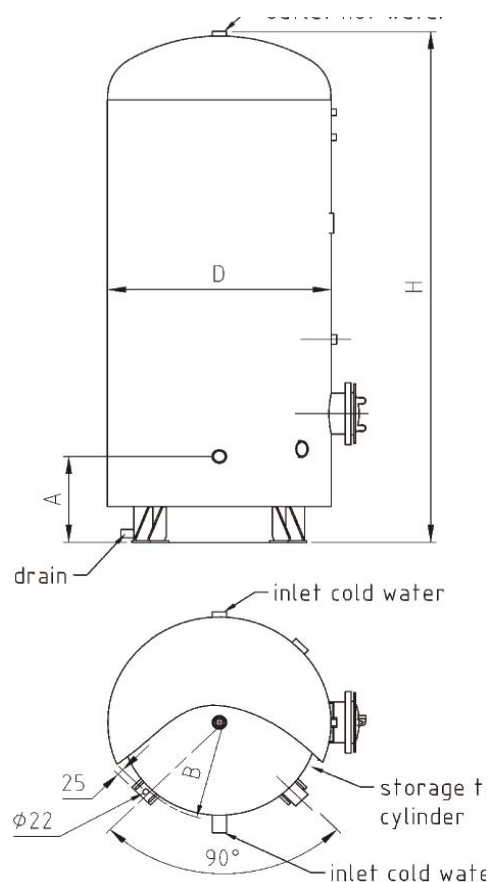
EFFICIENT AND DURABLE

JOWA produces a wide variety of hydrophore and calorifier units for ship and offshore use. Pressure vessels, circulation pumps and other equipment can be provided separately or as complete, ready-mounted unit with control cabinet piping and valves. The tanks are made of stainless steel 316L.

JOWA Calorifiers are among the most efficient and durable on the market, with customers spreading throughout Europe and Asia. The equipment can be adopted to suit different needs of customers. A variety of standard sizes from 100L to 2000L are available. Our products come ready-connected with control cabinet, heating elements and thermostats. Alternative heating sources like steam or hot water and circulation or pressure boosting pumps can also be provided.

Main Features

- » Stainless steel design 316L
- » Special size on request
- » C/W control cabinets



Volume in litres	Diameter	Height	Bolt c. diameter	Water inlet	Dim. water in/out	Dim. water circ.	Space for service	Appr. wight empty
	D	H	B	A	BSP	BSP	G	Kg
100	600	830	588	297	1"	1"	500	90
150	600	1050	588	297	1"	1"	500	103
200	600	1400	588	297	1"	1"	500	120
300	600	1950	588	297	1"	1"	500	150
450	750	1820	740	297	1" 1/2"	1" 1/2"	600	180
750	850	2065	792	347	1" 1/2"	1" 1/2"	600	230
1000	950	2095	894	350	1" 1/2"	1" 1/2"	800	260
1500	1100	2180	943	397	1" 1/2"	1" 1/2"	800	300
2000	1250	2215	1145	397	1" 1/2"	1" 1/2"	1000	380